

## **FYR HOLDING STATION** **GRFHS – PT 26**



**Electrical Specifications:** 220 - 240V, 50-60 Hz 1250 Watts, 10.4 Amps.

### **Description:**

Hatco GRFHS-PT26 Glo-Ray 29" Pass-Through Portable Fry Holding Station

Hatco offers convenient Glo-Ray® Fry Holding Stations that can be placed where they are most needed - next to a fryer! Glo-Ray heat technology offers you the ability to keep fried foods at optimum temperatures, ready to serve, without cooking or drying them out.

### **Standard features**

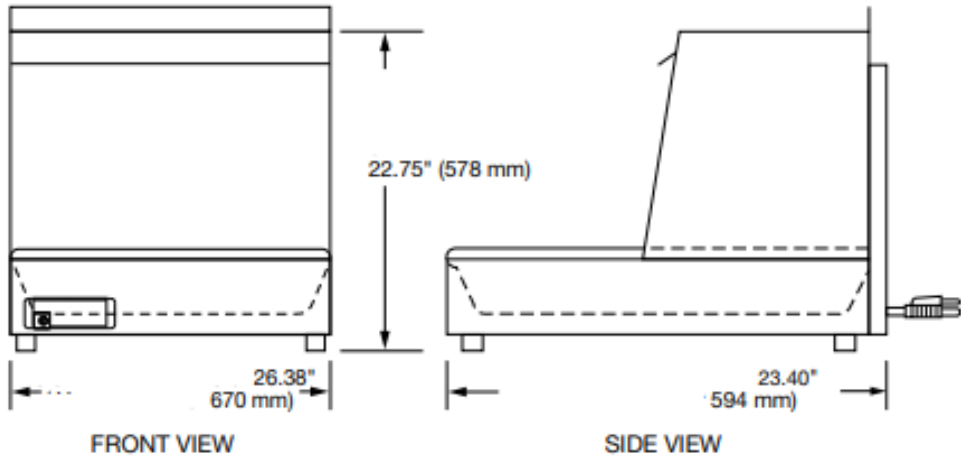
- Ceramic heating elements above, allowing ample space between the warmer and food bin to empty baskets
- Pre-set thermostatically-controlled heated base maintains uniform holding temperatures from below Various hard coated fry ribbons stage boxed or bagged products for quick service areas
- PT models are pass-through style
- Sectional divider permits holding of multiple products
- Models have 16.75", 18", or 20" (425, 457, or 508 mm) clearances
- Bottom trivet lifts food off the bottom of the station promoting air movement and reduces the buildup of moisture

**Overall Dimensions:**

Width: 29 3/8"

Depth: 22 3/4"

Height: 24 3/4"



**GRFHS-**

**-PT26**

